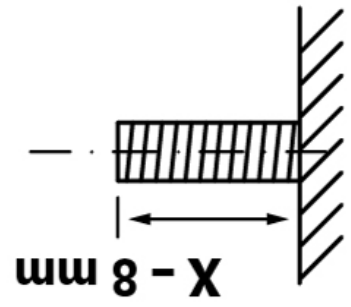
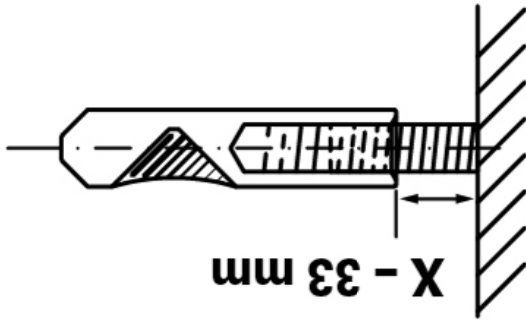


3



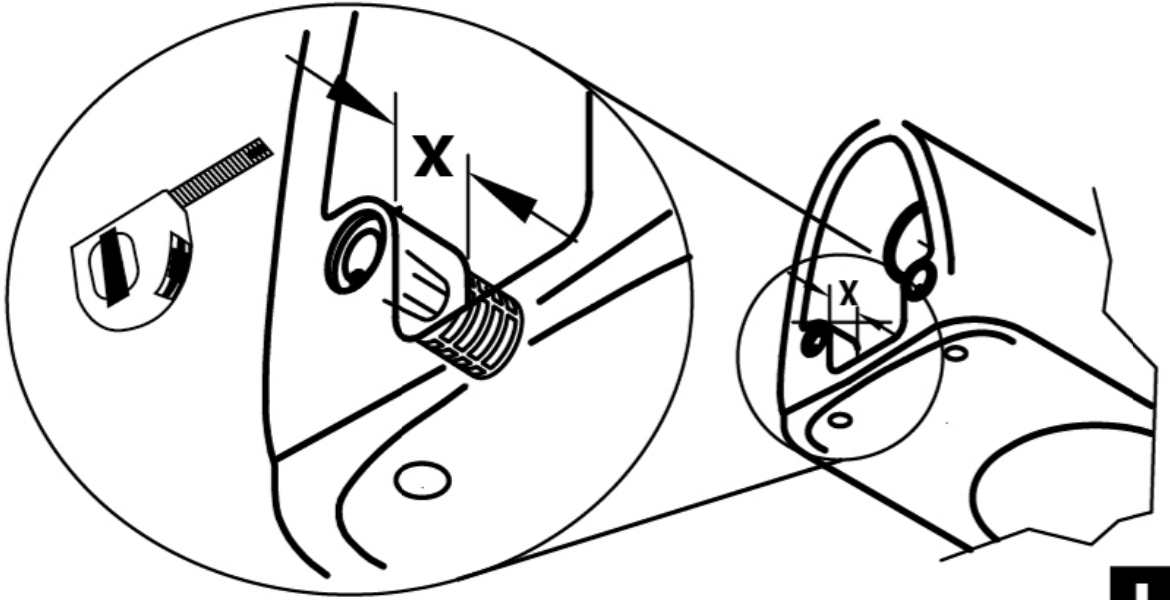
1 x



2



2 x



1